

Sewage & Drainage Pumps

Submersible Pumps	51
Top, Top-GM, Top-LA, Top Floor, Top Vortex, Top Vortex-Gm, Tex Vortex	
Submersible Pumps	53
RX, RX-GM	
Submersible Pumps Vortex - Stainless Steel	54
RX Vortex, RX-GM Vortex	
Submersible Pump - AdBlue	55
Top Multi-AD	
Submersible Drainage Pumps - Plug & Drain	56
Plug & Drain	
Submersible Pumps Vortex - Stainless Steel	57
VX-ST, VX-MF	
Submersible Double - Channel Pumps - Stainless Steel	58
BC-ST, BC-MF	
Submersible Drainage Pumps	59
D, DC	
Submersible Vortex Pumps	59
ZX, VX	
Submersible Double - Channel Pumps	60
BC	
Submersible Pumps - Cast Iron	61
VXC, MC, VXC-F, MC-F	
Submersible Pumps with Grinder	64
Tritus	
Submersible Pumps - Cast Iron	65
VX40, BC35, VXC4, MC4	
Dreno Drainage / Sewage Pumps	67
Compatta Evo, DNB, A Series, V Series, VTH Series, G Series	
Dreno Accessories	74

TOP



Submersible Drainage Pumps for Clear Water

MODEL	STOCK CODE	PRICE		POWER P ₂ kW	PERFORMANCE	
		Single £	4+ £		Q L/min	H m
Single-Phase						
Top 1	2300000	246.00	231.00	0.25	20 ÷ 160	6 ÷ 1
Top 2	2300010	266.00	250.00	0.37	20 ÷ 220	8 ÷ 1
Top 3	2300020	310.00	291.00	0.55	20 ÷ 260	10 ÷ 2
Top 4	2300030	507.00	477.00	0.75	20 ÷ 320	12.5 ÷ 3
Top 5	2300040	529.00	497.00	0.92	20 ÷ 360	15 ÷ 2.5

- Power cable:
5 metres as standard for TOP 1-3 (10m available at an additional cost of £30)
10 metres as standard for TOP 4-5
- Two mechanical seals separated by an oil chamber for Top 4-5
- External float switch: standard issue. Manual versions without float switch are available.

Attention: Standard EN 60335-2-41 requires the use of a 10 metres cable in outdoor applications

TOP-GM



Models with Vertical Magnetic Float Switch*

MODEL	STOCK CODE	PRICE		POWER P ₂ kW	PERFORMANCE	
		Single £	4+ £		Q L/min	H m
Single-Phase						
Top 1 - GM	2300050	278.00	262.00	0.25	20 ÷ 160	6 ÷ 1
Top 2 - GM	2300060	301.00	283.00	0.37	20 ÷ 220	8 ÷ 1
Top 3 - GM	2300070	344.00	324.00	0.55	20 ÷ 260	10 ÷ 2
Top 4 - GM	2300080	542.00	509.00	0.75	20 ÷ 320	12.5 ÷ 3
Top 5 - GM	2300090	564.00	530.00	0.92	20 ÷ 360	15 ÷ 2.5

- Power cable:
5 metres as standard for TOP 1-3 (10m available at an additional cost of £30)
10 metres as standard for TOP 4-5
- Two mechanical seals separated by an oil chamber for Top 4-5 GM
- External float switch: standard issue.

* SUITABLE FOR SMALL DRAINAGE SUMPS

Attention: Standard EN 60335-2-41 requires the use of a 10 metres cable in outdoor applications

TOP-LA



Versions Suitable for Aggressive Liquids

MODEL	STOCK CODE	PRICE £	POWER		PERFORMANCE	
			kW	HP	Q L/min	H m
Single-Phase						
Top 2 - LA	2300100	379.00	0.37	0.50	20 ÷ 220	8 ÷ 1
Top 3 - LA	2300110	423.00	0.55	0.75	20 ÷ 260	10 ÷ 2

- Power cable:
10 metres standard equipment
- External float switch: standard issue. Manual versions without float switch are available.
- Patent Pending n. BO2015A000116
- Registered Community Design n. 342159-0011

TOP-LA: metallic components in contact with the pumped liquid in AISI 316 stainless steel

110V available on most models - add 20% to above prices. 60Hz available to order - add 20%
Performance data is approximate for guidance only. For critical applications check with latest Catalogue or phone for duty confirmation.

TOP-FLOOR



Low Suction Version Submersible Pumps for Clear Water*

MODEL	STOCK CODE	PRICE Single £	PRICE 4+	POWER		PERFORMANCE	
				P ₂ kW	HP	Q L/min	H m
Single-Phase							
Top 1 - Floor	2300120	258.00	243.00	0.25	0.33	20 ÷ 120	6 ÷ 2
Top 2 - Floor	2300130	266.00	250.00	0.37	0.50	20 ÷ 160	8 ÷ 2.4
Top 3 - Floor	2300135	310.00	291.00	0.55	0.75	20 ÷ 170	9.8 ÷ 2.6

- Power cable: 5 metres as standard (10m available at an additional cost of £30)
 - Registered Community Design n. 342159-0011
- * The pump is designed to guarantee suction down to 2mm above ground level
Attention: Standard EN 60335-2-41 requires the use of a 10 metre cable in outdoor applications

TOP-VORTEX



Submersible Vortex Pumps for Dirty Water*

MODEL	STOCK CODE	PRICE Single £	PRICE 4+	POWER P ₂ kW	PERFORMANCE	
					Q L/min	H m
Single-Phase						
Top 1 - Vortex	2300140	262.00	246.00	0.25	20 ÷ 140	6.3 ÷ 1.6
Top 2 - Vortex	2300150	268.00	252.00	0.37	20 ÷ 180	6.5 ÷ 1.5
Top 3 - Vortex	2300160	326.00	306.00	0.55	20 ÷ 180	8 ÷ 2.5

- Power cable: 5 metres as standard (10m available at an additional cost of £30)
 - External float switch: standard issue. Manual versions without float switch are available.
- * Passage of suspended solids up to Ø 20 mm
Attention: Standard EN 60335-2-41 requires the use of a 10 metre cable in outdoor applications cable in outdoor applications

TOP-VORTEX-GM



Models with Vertical Magnetic Float Switch*

MODEL	STOCK CODE	PRICE Single £	PRICE 4+	POWER P ₂ kW	PERFORMANCE	
					Q L/min	H m
Single-Phase						
Top 1 - Vortex/GM	2300170	313.00	294.00	0.25	20 ÷ 140	6.3 ÷ 1.6
Top 2 - Vortex/GM	2300180	319.00	300.00	0.37	20 ÷ 180	6.5 ÷ 1.5
Top 3 - Vortex/GM	2300190	363.00	341.00	0.55	20 ÷ 180	8 ÷ 2.5

- Power cable: 5 metres as standard (10m available at an additional cost of £30)
 - External float switch: standard issue.
- * Passage of suspended solids up to Ø 20 mm
 * SUITABLE FOR SMALL DRAINAGE SUMPS
Attention: Standard EN 60335-2-41 requires the use of a 10 metre cable in outdoor applications

TEX-VORTEX



Models with Adjustable Magnetic Float Switch*

MODEL	STOCK CODE	PRICE £	POWER		PERFORMANCE	
			P ₂ kW	HP	Q L/min	H m
Single-Phase						
Tex 2	2300200	351.00	0.37	0.50	20 ÷ 200	7.5 ÷ 1.5
Tex 3	2300210	376.00	0.55	0.75	20 ÷ 240	9.5 ÷ 2.5

- Power cable: 5 metres as standard (10m available at an additional cost of £30)
 - Adjustable Magnetic Float Switch
 - Selector for automatic or manual operations
- * Passage of suspended solids up to Ø 30 mm



110V available on most models - add 20% to above prices. 60Hz available to order - add 20%
 Performance data is approximate for guidance only. For critical applications check with latest Catalogue or phone for duty confirmation.

RX



Submersible Pumps for Clear Water

MODEL	STOCK CODE	PRICE		MODEL	STOCK CODE	PRICE		POWER	PERFORMANCE	
		Single £	4 + £			Single £	4 + £		P ₂ kW	Q L/min
Single Phase				Three Phase						
RXm 1	2300220	333.00	313.00	RX 1	2300270	357.00	336.00	0.25	20 ÷ 160	6.5 ÷ 1
RXm 2	2300230	375.00	353.00	RX 2	2300280	399.00	375.00	0.37	20 ÷ 220	9.5 ÷ 2
RXm 3	2300240	438.00	412.00	RX 3	2300290	467.00	439.00	0.55	20 ÷ 220	11.5 ÷ 3
RXm 4	2300250	1,074.00	1,009.00	RX 4	2300300	1,090.00	1,024.00	0.75	20 ÷ 260	15 ÷ 4
RXm 5	2300260	1,115.00	1,048.00	RX 5	2300310	1,115.00	1,048.00	1.1	20 ÷ 300	19.5 ÷ 5

- Power cable:
5 metres as standard for RX 1-3 (10m available at an additional cost of £30)
10 metres as standard for RX 4-5
- Two mechanical seals separated by an oil chamber for RX 4-5
- External float switch: standard issue on Single-Phase versions. Manual versions without float switch are available for Single-Phase and are standard for Three-Phase.
- Impeller: AISI 304 stainless steel

Attention: Standard EN 60335-2-41 requires the use of a 10 metre cable in outdoor applications

RX-GM



Models with Vertical Magnetic Float Switch*

MODEL	STOCK CODE	PRICE		POWER	PERFORMANCE	
		Single £	4 + £		P ₂ kW	Q L/min
Single-Phase						
RXm 1-GM	2300320	368.00	346.00	0.25	20 ÷ 160	6.5 ÷ 1
RXm 2 -GM	2300330	414.00	389.00	0.37	20 ÷ 220	9.5 ÷ 2
RXm 3 -GM	2300340	459.00	431.00	0.55	20 ÷ 220	11.5 ÷ 3
RXm 4 -GM	2300350	1,057.00	994.00	0.75	20 ÷ 260	15 ÷ 4
RXm 5-GM	2300360	1,102.00	1,036.00	1.1	20 ÷ 300	19.5 ÷ 5

- Power cable:
5 metres as standard for RX 1-3 GM (10m available at an additional cost of £30)
10 metres as standard for RX- 4-5 GM
- Two mechanical seals separated by an oil chamber for RX 4-5 GM
- External float switch: standard issue
- Impeller: AISI 304 stainless steel

Attention: Standard EN 60335-2-41 requires the use of a 10 metre cable in outdoor applications

110V available on most models - add 20% to above prices. 60Hz available to order - add 20%
Performance data is approximate for guidance only. For critical applications check with latest Catalogue or phone for duty confirmation.

RX-VORTEX



Submersible Vortex Pumps for Dirty Water*

MODEL	STOCK CODE	PRICE £	PRICE 4+ £	MODEL	STOCK CODE	PRICE Single £	PRICE 4+ £	POWER		PERFORMANCE	
								P ₂ kW	HP	Q L/min	H m
Single Phase				Three Phase							
RXm 2/20	2300370	393.00	370.00	RX 2/20	2300410	411.00	386.00	0.37		20 ÷ 180	6.5 ÷ 2
RXm 3/20	2300380	441.00	415.00	RX 3/20	2300420	473.00	444.00	0.55		20 ÷ 180	8 ÷ 3
RXm 4/40	2300390	1,093.00	1,027.00	RX 4/40	2300430	1,118.00	1,051.00	0.75		20 ÷ 280	9.5 ÷ 2
RXm 5/40	2300400	1,140.00	1,071.00	RX 5/40	2300440	1,140.00	1,071.00	1.1		20 ÷ 380	12.5 ÷ 2

- Power cable:
5 metres as standard (10m available at an additional cost of £30)
10 metres as standard equipment for RX 4-5/40
- Two mechanical seals separated by an oil chamber for RX 4-5/40
- External float switch: standard issue on Single-Phase versions. Manual versions without float switch are available for Single-Phase and are standard for Three-Phase.
- Impeller: VORTEX AISI 304 stainless steel

* Max. passage of suspended solids:

RX 2/20, RX 3/20 up to Ø 20mm

RX 4/40, RX 5/40 up to Ø 40mm

Attention: Standard EN 60335-2-41 requires the use of a 10 metre cable in outdoor applications

RX-GM VORTEX



Models c/w Vertical Magnetic Float Switch*

MODEL	STOCK CODE	PRICE Single £	PRICE 4+ £	POWER		PERFORMANCE	
				P ₂ kW	HP	Q L/min	H m
Single-Phase							
RXm 2/20 - GM	2300450	451.00	424.00	0.37	0.50	20 ÷ 180	6.5 ÷ 2
RXm 3/20 - GM	2300460	479.00	450.00	0.55	0.75	20 ÷ 180	8 ÷ 3
RXm 4/40 - GM	2300470	1,130.00	1,062.00	0.75	1	20 ÷ 280	9.5 ÷ 2
RXm 5/40 - GM	2300480	1,177.00	1,107.00	1.1	1.5	20 ÷ 380	12.5 ÷ 2

- Power cable:
5 metres as standard RX 2-3/20 GM (10m available at an additional cost of £30)
10 metres as standard equipment for RX 4-5/40 GM
- Two mechanical seals separated by an oil chamber for RX 4-5/40 GM
- External float switch: standard issue on Single-Phase versions
- Impeller: VORTEX AISI 304 stainless steel

* Max. passage of suspended solids:

RX 2/20 - GM, RX 3/20 - GM up to Ø 20mm

RX 4/40 - GM, RX 5/40 - GM up to Ø 40mm

Attention: Standard EN 60335-2-41 requires the use of a 10 metre cable in outdoor applications

110V available on most models - add 20% to above prices. 60Hz available to order - add 20%
Performance data is approximate for guidance only. For critical applications check with latest Catalogue or phone for duty confirmation.

TOP MULTI-AD submersible multi-stage pumps are designed to pump clean liquids as defined by standard ISO 22241 such as AUS32 (Aqueous Urea Solution 32.5%).

This liquid is the equivalent of other commercial brands such as:

- **AdBlue®** (trademark registered by Verband der Automobilindustrie VDA)
- **DEF** (Diesel Exhaust Fluid)
- **Arla 32** (Automotive Nitrous Oxide Liquid Reducing Agent)

TOP MULTI AD



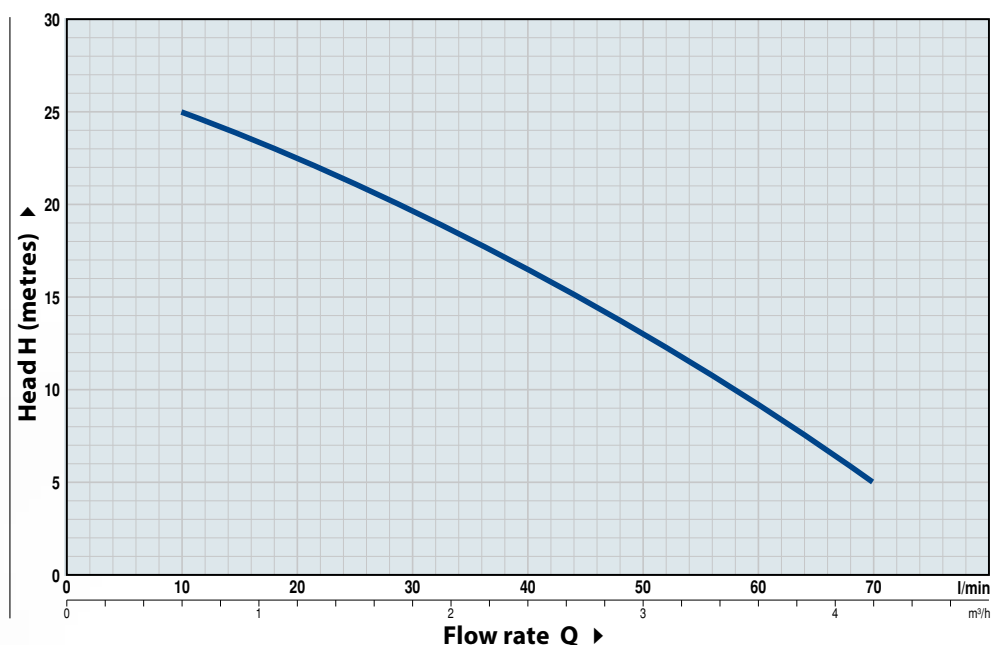
Top Multi-AD Submersible Pump for AdBlue Liquid

MODEL	STOCK CODE	PRICE	POWER		PERFORMANCE	
			P ₂ kW	HP	Q L/min	H m
Single-Phase		£				
Top Multi 1-AD	2300490	416.00	0.37	0.50	10 ÷ 70	25 ÷ 5

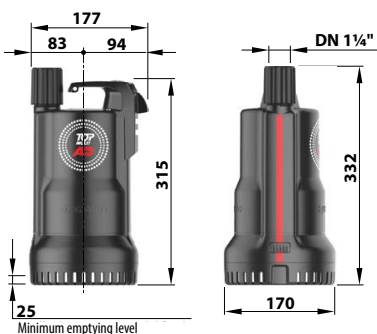
- Complete with 10m cable and NRV

PERFORMANCE DATA

50 Hz N=2900 min⁻¹



DIMENSION (mm)



CONSTRUCTION CHARACTERISTICS

OR AND GASKETS	EPDM
MECHANICAL SEAL	Silicon carbide - Graphite - EPDM
POWER CABLE	H07BN4-7 Length 5 metres without plug
HOSE CONNECTOR	with flap-check valve in EPDM

PLUG & DRAIN is the indispensable and practical emergency kit for tackling flooding in garages, cellars and basements with efficacy and speed.

Thanks to the versatile drainage pump and the 12.5 metre long PVC hose, it is possible to swiftly drain the flooded area, if necessary using the plastic crate as a filter.

With PLUG & DRAIN you can completely drain the area affected by flooding: the Top 2 Floor pump can in fact suck up water down to a level of only 2 mm from the bottom.

- With PLUG & DRAIN you have everything you require ready for use.
- pump with a ready-fitted connector, a 10 metre long power cable and an external float switch;
 - PVC hose with a rapid connector;
 - crate-filter to prevent possible bulky residues blocking water drainage.

PLUG & DRAIN

Emergency Kit for Emptying or Preventing Floods

MODEL	STOCK CODE	PRICE	POWER		PERFORMANCE	
			P ₂	HP	Q	H
Single-Phase			kW	HP	L/min	m
Plug & Drain - Top 2 Floor	2300500	595.00	0.37	0.50	20 ÷ 150	8 ÷ 2.4
Plug & Drain - Top 3	2305430	639.00	0.55	0.75	20 ÷ 260	10 ÷ 2
Plug & Drain - RXm2	2305440	723.00	0.37	0.50	20 ÷ 190	9.5 ÷ 2.8
Plug & Drain - RXm3	2305450	767.00	0.55	0.75	20 ÷ 220	11.5 ÷ 3.5



COMPONENTS

SUBMERSIBLE PUMPS

- Single-Phase 230 V - 50 Hz
- Thermal protected overload incorporated in the winding.
- 10 metres power cable
- External float switch
- 'STORMZ' rapid connection
- Performance:
 - H max = 11.5 m
 - Q max = 260 L/min
- Emptying level down to 2 mm from the bottom



PVC LAYFLAT HOSE

- 'STORMZ' rapid connection
- Length of hose 12.5 m
- Diameter of tube 1 1/4"



CRATE-FILTER

- Complete with a system for fixing the pump for a stable operation and an easy detachment for use of the pump without the crate-filter
- Complete with a lid for easy storage of PLUG & DRAIN



VX-ST



Submersible Vortex Pumps for Wastewater/Sewage

MODEL	STOCK CODE	PRICE	PRICE 4+	MODEL	STOCK CODE	PRICE	PRICE 4+	POWER P ₂	PERFORMANCE	
									Q	H
Single-Phase		£	£	Three-Phase		£	£	kW	L/min	m
VXm 8/35-ST	2300510	632.00	594.00	VX 8/35-ST	2300590	660.00	620.00	0.55	50 ÷ 350	8.5 ÷ 1
VXm 10/35-ST	2300520	651.00	612.00	VX 10/35-ST	2300600	675.00	635.00	0.75	50 ÷ 400	10.5 ÷ 2
VXm 15/35-ST	2300530	779.00	732.00	VX 15/35-ST	2300610	779.00	732.00	1.1	50 ÷ 500	14 ÷ 2
VXm 20/35-ST	2300540	910.00	856.00	VX 20/35-ST	2300620	910.00	856.00	1.5	50 ÷ 525	16.5 ÷ 2.5
VXm 8/50-ST	2300550	651.00	612.00	VX 8/50-ST	2300630	677.00	636.00	0.55	50 ÷ 450	7 ÷ 1.5
VXm 10/50-ST	2300560	666.00	626.00	VX 10/50-ST	2300640	681.00	640.00	0.75	50 ÷ 550	9.5 ÷ 1.5
VXm 15/50-ST	2300570	794.00	747.00	VX 15/50-ST	2300650	794.00	747.00	1.1	50 ÷ 650	13 ÷ 2
VXm 20/50-ST	2300580	926.00	870.00	VX 20/50-ST	2300660	926.00	870.00	1.5	50 ÷ 700	14.5 ÷ 3

- Power cable: 10 metres standard equipment
- Pump body: stamped stainless steel AISI 304
- Two mechanical seals separated by an oil chamber
- External float switch: standard issue on Single-Phase versions. Manual versions without float switch are available for Single-Phase and are standard for Three-Phase.

* Max. passage of suspended solids:

VX /35-ST up to Ø 40mm

VX /50-ST up to Ø 50mm

Impeller type:

VORTEX AISI 304 stainless steel

VORTEX AISI 304 stainless steel

VX-MF



Submersible Vortex Pumps for Wastewater/Sewage

MODEL	STOCK CODE	PRICE	MODEL	STOCK CODE	PRICE	POWER P ₂		PERFORMANCE	
						kW	HP	Q	H
Single-Phase		£	Three-Phase		£	kW	HP	L/min	m
VXm 8/35-MF	2300670	1,023.00	VX 8/35-MF	2300750	1,048.00	0.55	0.75	50 ÷ 350	8 ÷ 1
VXm 10/35-MF	2300680	1,035.00	VX 10/35-MF	2300760	1,066.00	0.75	1	50 ÷ 400	10 ÷ 2
VXm 15/35-MF	2300690	1,170.00	VX 15/35-MF	2300770	1,170.00	1.1	1.5	50 ÷ 500	13.5 ÷ 2
VXm 20/35-MF	2300700	1,298.00	VX 20/35-MF	2300780	1,298.00	1.5	2.0	50 ÷ 600	15 ÷ 1.5
VXm 8/50-MF	2300710	1,039.00	VX 8/50-MF	2300790	1,063.00	0.55	0.75	50 ÷ 450	6 ÷ 1.5
VXm 10/50-MF	2300720	1,054.00	VX 10/50-MF	2300800	1,081.00	0.75	1	50 ÷ 550	8.5 ÷ 1.5
VXm 15/50-MF	2300730	1,170.00	VX 15/50-MF	2300810	1,170.00	1.1	1.5	50 ÷ 650	11 ÷ 2
VXm 20/50-MF	2300740	1,298.00	VX 20/50-MF	2300820	1,298.00	1.5	2.0	50 ÷ 750	13 ÷ 2.5

- Power cable: 10 metres standard equipment on Single-Phase versions
- Pump body: cast stamped stainless steel AISI 304
- Shaft: AISI 304 stainless steel
- Two mechanical seals separated by an oil chamber
- External float switch: standard issue on Single-Phase versions. Manual versions without float switch are available for Single-Phase and are standard for Three-Phase.

* Max. passage of suspended solids:

VX /35-MF up to Ø 40mm

VX /50-MF up to Ø 50mm

Impeller type:

VORTEX AISI 304 stainless steel

VORTEX AISI 304 stainless steel

Guide Rail Kits

For Pump	Stock Code	DN	£
HORIZONTAL DELIVERY WITH ¾" RAILS (A)			
VX /35 ST, VX 35 MF	2300830	2"	153.00
VX /50 ST, VX 50 MF	2300840	2"	159.00
VERTICAL DELIVERY WITH ¾" RAILS (B)			
VX /35 ST, VX 35 MF	2300850	2 ½"	263.00
VX /50 ST, VX 50 MF	2300860	2 ½"	272.00



(A)

(B)

110V available on most models - add 20% to above prices. 60Hz available to order - add 20%
Performance data is approximate for guidance only. For critical applications check with latest Catalogue or phone for duty confirmation.

BC-ST



Submersible Double-Channel Pumps for Wastewater/Sewage

MODEL	STOCK CODE	PRICE	PRICE 4+ £	MODEL	STOCK CODE	PRICE	PRICE 4+ £	POWER P ₂ kW	PERFORMANCE	
									Q L/min	H m
Single-Phase		£	£	Three-Phase		£	£			
BCm 10/50-ST	2300870	764.00	718.00	BC 10/50-ST	2300900	788.00	741.00	0.75	50 ÷ 600	11 ÷ 2
BCm 15/50-ST	2300880	861.00	810.00	BC 15/50-ST	2300910	861.00	810.00	1.1	50 ÷ 750	14 ÷ 2
BCm 20/50-ST	2300890	993.00	933.00	BC 20/50-ST	2300920	993.00	933.00	1.5	50 ÷ 850	16 ÷ 3

- Power cable:
10 metres standard equipment
- Pump body: stamped stainless steel AISI 304
- Two mechanical seals separated by an oil chamber
- External float switch: standard issue on Single-Phase versions. Manual versions without float switch are available for Single-Phase and are standard for Three-Phase.

* Max. passage of suspended solids:
BC /50-ST up to Ø 50mm

Impeller type:
DOUBLE-CHANNEL AISI 304 stainless steel

BC-MF



Submersible Double-Channel Pumps for Wastewater/Sewage

MODEL	STOCK CODE	PRICE	MODEL	STOCK CODE	PRICE	POWER		PERFORMANCE	
						P ₂ kW	HP	Q L/min	H m
Single-Phase		£	Three-Phase		£				
BCm 10/50-MF	2300930	1,138.00	BC 10/50-MF	2300960	1,164.00	0.75	1	50 ÷ 600	11 ÷ 2
BCm 15/50-MF	2300940	1,252.00	BC 15/50-MF	2300970	1,252.00	1.1	1.5	50 ÷ 750	14 ÷ 2
BCm 20/50-MF	2300950	1,375.00	BC 20/50-MF	2300980	1,375.00	1.5	2.0	50 ÷ 850	16 ÷ 3

- Power cable:
10 metres standard equipment
Pump body: cast stainless steel AISI 304
- Shaft: AISI 304 stainless steel
- Two mechanical seals separated by an oil chamber
- External float switch: standard issue on Single-Phase versions. Manual versions without float switch are available for Single-Phase and are standard for Three-Phase.

* Max. passage of suspended solids:
BC /50-MF up to Ø 50mm

Impeller type:
DOUBLE-CHANNEL AISI 304 stainless steel



Guide Rail Kits

For Pump	Stock Code	DN	£
HORIZONTAL DELIVERY WITH ¾" RAILS (A)			
BC/50 ST, BC 50 MF	2300840	2"	159.00
VERTICAL DELIVERY WITH ¾" RAILS (B)			
BC/50 ST, BC 50 MF	2300860	2 ½"	272.00

110V available on most models - add 20% to above prices. 60Hz available to order - add 20%
Performance data is approximate for guidance only. For critical applications check with latest Catalogue or phone for duty confirmation.

D



Submersible Pumps for Clear Water

MODEL	STOCK CODE	PRICE	PRICE 4+	MODEL	STOCK CODE	PRICE	PRICE 4+	POWER	PERFORMANCE	
Single-Phase		£	£	Three-Phase		£	£	P ₂ kW	Q L/min	H m
Dm 8	2301050	568.00	536.00	D 8	2301090	585.00	552.00	0.55	25 ÷ 250	12.5 ÷ 3
Dm 10	2301060	590.00	557.00	D 10	2301100	607.00	573.00	0.75	25 ÷ 300	15.5 ÷ 3
Dm 20	2301070	600.00	565.00	D 20	2301110	617.00	582.00	0.75	25 ÷ 250	19 ÷ 8
Dm 30	2301080	689.00	647.00	D 30	2301120	689.00	647.00	1.1	25 ÷ 275	26 ÷ 9

- Power cable: 10 metres standard equipment
- Impeller: **technopolymer**
- Two mechanical seals separated by an oil chamber (For D30-N shaft with double mechanical seal with sealing ring)
- External float switch: standard issue on Single-Phase versions. Manual versions without float switch are available for Single-Phase and are standard for Three-Phase.

Attention: Standard EN 60335-2-41 requires the use of a 10 metre cable in outdoor applications

DC



Cast Iron Submersible Drainage Pumps for Clear Water

MODEL	STOCK CODE	PRICE	MODEL	STOCK CODE	PRICE	POWER		PERFORMANCE	
Single-Phase		£	Three-Phase		£	P ₂ kW	HP	Q L/min	H m
DCm 8	2301130	650.00	DC 8	2301190	667.00	0.55	0.75	25 ÷ 250	12.5 ÷ 3
DCm 10	2301140	667.00	DC 10	2301200	683.00	0.75	1	25 ÷ 300	15.5 ÷ 3
DCm 20	2301150	683.00	DC 20	2301210	700.00	0.75	1	25 ÷ 250	19 ÷ 8
DCm 30	2301160	767.00	DC 30	2301220	767.00	1.1	1.5	25 ÷ 275	26 ÷ 9
DCm 42	2301170	2,004.00	DC 42	2301230	1,832.00	1.5	2	25 ÷ 500	30.5 ÷ 3
DCm 43	2301180	2,129.00	DC 43	2301240	1,966.00	2.2	3	25 ÷ 550	35 ÷ 4
-	-	-	DC 44	2301250	2,082.00	3	4	25 ÷ 550	37.5 ÷ 7.5

- Power cable: 10 metres standard equipment
- Impeller: **technopolymer**
- Two mechanical seals separated by an oil chamber (for DC30-N shaft with double mechanical seal with sealing ring)
- External float switch: standard issue on Single-Phase versions. Manual versions without float switch are available for Single-Phase and are standard for Three-Phase.

SUBMERSIBLE VORTEX PUMPS

ZX 1



Submersible Pumps for Clear Water

MODEL	STOCK CODE	PRICE	POWER		PERFORMANCE	
Single-Phase		£	P ₂ kW	HP	Q L/min	H m
ZXm 1B/40	2301260	525.00	0.50	0.70	25 ÷ 350	8.5 ÷ 1
ZXm 1A/40	2301270	534.00	0.60	0.85	25 ÷ 400	10.5 ÷ 1.5

- Power cable: 10 metres as standard
- External float switch: standard issue. Manual versions without float switch are available.
- Impeller: **VORTEX in technopolymer**
- Hose fitting supplied as a standard

* Passage of suspended solids up to Ø 40mm

Attention: Standard EN 60335-2-41 requires the use of a 10 metre cable in outdoor applications

110V available on most models - add 20% to above prices. 60Hz available to order - add 20%
Performance data is approximate for guidance only. For critical applications check with latest Catalogue or phone for duty confirmation.

VX



Submersible Vortex Pumps for Wastewater/Sewage*

MODEL	STOCK CODE	PRICE	PRICE 4+ £	MODEL	STOCK CODE	PRICE	PRICE 4+ £	POWER P ₂ kW	PERFORMANCE	
									Q L/min	H m
Single-Phase		£	£	Three-Phase		£	£			
VXm 8/35	2301280	580.00	547.00	VX 8/35	2301360	595.00	561.00	0.55	50 ÷ 350	8 ÷ 1
VXm 10/35	2301290	601.00	567.00	VX 10/35	2301370	616.00	581.00	0.75	50 ÷ 400	10 ÷ 2
VXm 15/35	2301300	706.00	663.00	VX 15/35	2301380	706.00	663.00	1.1	50 ÷ 500	13.5 ÷ 2
VXm 20/35	2301310	834.00	784.00	VX 20/35	2301390	834.00	784.00	1.5	50 ÷ 600	15 ÷ 1.5
VXm 8/50	2301320	595.00	561.00	VX 8/50	2301400	610.00	575.00	0.55	50 ÷ 450	6 ÷ 1.5
VXm 10/50	2301330	616.00	581.00	VX 10/50	2301410	631.00	595.00	0.75	50 ÷ 550	8.5 ÷ 1.5
VXm 15/50	2301340	721.00	678.00	VX 15/50	2301420	721.00	678.00	1.1	50 ÷ 650	11 ÷ 2
VXm 20/50	2301350	849.00	798.00	VX 20/50	2301430	849.00	798.00	1.5	50 ÷ 750	13 ÷ 2.5

- Power cable: 10 metres as standard
- Two mechanical seals separated by an oil chamber
- External float switch: standard issue on Single-Phase versions. Manual versions without float switch are available for Single-Phase and are standard for Three-Phase.

* Max. passage of suspended solids:

VX /35-N up to Ø 40mm

VX /50-N up to Ø 50mm

Impeller type:

VORTEX AISI 304 stainless steel

VORTEX AISI 304 stainless steel

Attention: Standard EN 60335-2-41 requires the use of a 10 metre cable in outdoor applications

SUBMERSIBLE DOUBLE-CHANNEL PUMPS

BC



Submersible Double-Channel Pumps for Wastewater/Sewage*

MODEL	STOCK CODE	PRICE	PRICE 4+ £	MODEL	STOCK CODE	PRICE	PRICE 4+ £	POWER P ₂ kW	PERFORMANCE	
									Q L/min	H m
Single-Phase		£	£	Three-Phase		£	£			
BCm 10/50	2301440	708.00	667.00	BC 10/50	2301470	720.00	679.00	0.75	50 ÷ 600	11 ÷ 2
BCm 15/50	2301450	800.00	752.00	BC 15/50	2301480	800.00	752.00	1.1	50 ÷ 750	14 ÷ 2
BCm 20/50	2301460	926.00	870.00	BC 20/50	2301490	926.00	870.00	1.5	50 ÷ 850	16 ÷ 3

- Power cable: 10 metres as standard
- External float switch: standard issue on Single-Phase versions. Manual versions without float switch are available for Single-Phase and are standard for Three-Phase.

* Max. passage of suspended solids:

BC/50-N up to Ø 50mm

Impeller type:

Double-Channel AISI 304 stainless steel

Attention: Standard EN 60335-2-41 requires the use of a 10 metre cable in outdoor applications

110V available on most models - add 20% to above prices. 60Hz available to order - add 20%

Performance data is approximate for guidance only. For critical applications check with latest Catalogue or phone for duty confirmation.

VXC



Submersible Vortex Pumps for Wastewater/Sewage*

MODEL	STOCK CODE	PRICE	MODEL	STOCK CODE	PRICE	POWER		PERFORMANCE	
						P ₂		Q	H
Single-Phase		£	Three-Phase		£	kW	HP	L/min	m
VXcM8/35	2301500	701.00	VXC8/35	2301560	717.00	0.55	0.75	50 ÷ 350	8 ÷ 1
VXcM10/35	2301510	717.00	VXC10/35	2301570	733.00	0.75	1	50 ÷ 400	10 ÷ 2
VXcM15/35	2301520	833.00	VXC15/35	2301580	848.00	1.1	1.5	50 ÷ 500	13.5 ÷ 2
VXcM8/45	2301530	717.00	VXC8/45	2301590	733.00	0.55	0.75	50 ÷ 450	6 ÷ 1.5
VXcM10/45	2301540	733.00	VXC10/45	2301600	748.00	0.75	1	50 ÷ 550	8.5 ÷ 1.5
VXcM15/45	2301550	848.00	VXC15/45	2301610	864.00	1.1	1.5	50 ÷ 650	11 ÷ 2

- Power cable: 10 metres as standard
- Two mechanical seals separated by an oil chamber
- External float switch: standard issue on Single-Phase versions. Manual versions without float switch are available for Single-Phase and are standard for Three-Phase.

* Max. passage of suspended solids:
VXC /35-N up to Ø 40mm
VXC 45-N up to Ø 50mm

Impeller type:
VORTEX AISI 304 stainless steel
VORTEX AISI 304 stainless steel

MC



Submersible Double-Channel Pumps for Wastewater/Sewage*

MODEL	STOCK CODE	PRICE	MODEL	STOCK CODE	PRICE	POWER		PERFORMANCE	
						P ₂		Q	H
Single-Phase		£	Three-Phase		£	kW	HP	L/min	m
MCm10/45	2301620	833.00	MC 10/45	2301640	848.00	0.75	1	50 ÷ 600	11 ÷ 2
MCm15/45	2301630	916.00	MC 15/45	2301650	916.00	1.1	1.5	50 ÷ 750	14 ÷ 2.7

- Power cable: 10 metres as standard
- Two mechanical seals separated by an oil chamber
- External float switch: standard issue on Single-Phase versions. Manual versions without float switch are available for Single-Phase and are standard for Three-Phase.

* Max. passage of suspended solids:
MC /45 up to Ø 40mm

Impeller type:
Double-channel AISI 304 stainless steel

VXC



Submersible Free-Standing Vortex Pumps for Wastewater/Sewage*

MODEL	STOCK CODE	PRICE	MODEL	STOCK CODE	PRICE	POWER		PERFORMANCE	
						P ₂		Q	H
Single-Phase		£	Three-Phase		£	kW	HP	L/min	m
VXCm15/50	2301660	1,534.00	VXC15/50	2301720	1,500.00	1.1	1.5	100 ÷ 600	1.1 ÷ 1.5
VXCm20/50	2301670	1,612.00	VXC20/50	2301730	1,534.00	1.5	2	100 ÷ 700	12.5 ÷ 2.5
VXCm30/50	2301680	2,066.00	VXC30/50	2301740	1,565.00	2.2	3	100 ÷ 850	15.5 ÷ 2
-	-	-	VXC40/50	2301750	1,866.00	3	4	100 ÷ 1050	19 ÷ 2
VXCm15/65	2301690	1,600.00	VXC15/65	2301760	1,565.00	1.1	1.5	200 ÷ 850	7 ÷ 1
VXCm20/65	2301700	1,714.00	VXC20/65	2301770	1,597.00	1.5	2	200 ÷ 1000	8.5 ÷ 1
VXCm30/65	2301710	2,132.00	VXC30/65	2301780	1,633.00	2.2	3	200 ÷ 1200	11.1 ÷ 1.5
-	-	-	VXC40/65	2301790	1,932.00	3	4	200 ÷ 1250	15 ÷ 1.5

- Power cable: 10 metres as standard

* Max. passage of suspended solids:

VXC /50 up to Ø 50 mm

VXC /65 up to Ø 65 mm

Impeller type:

Cast iron VORTEX

Cast iron VORTEX

- Standard supply Single-Phase version:
 - external float switch (manual pump available on request)
 - capacitor box with capacitor included
 - protector built-in to the motor winding

2.2 kW Single-Phase pumps, the thermal overload protector must be connected to the external control panel

For three-phase water pumps three thermal overload protection are built-in to the winding, in series, and must be connected to the control box

MC



Submersible Free-Standing Double-Channel Pumps for Wastewater/Sewage

MODEL	STOCK CODE	PRICE	MODEL	STOCK CODE	PRICE	POWER		PERFORMANCE	
						P ₂		Q	H
Single-Phase		£	Three-Phase		£	kW	HP	L/min	m
MCm15/50	2301800	1,631.00	MC15/50	2301840	1,597.00	1.1	1.5	100 ÷ 800	14 ÷ 1
MCm20/50	2301810	1,716.00	MC20/50	2301850	1,631.00	1.5	2	100 ÷ 900	16 ÷ 1
MCm30/50	2301820	2,132.00	MC30/50	2301860	1,666.00	2.2	3	100 ÷ 1100	22 ÷ 2
-	-	-	MC40/50	2301870	1,932.00	3	4	100 ÷ 1100	24 ÷ 4
MCm30/65	2301830	2,286.00	MC30/65	2301880	1,753.00	2.2	3	200 ÷ 1500	12 ÷ 2
-	-	-	MC40/65	2301890	2,019.00	3	4	200 ÷ 1600	15 ÷ 4

- Power cable: 10 metres as standard

* Max. passage of suspended solids:

MC 50 up to Ø 50mm

MC 65 up to Ø 70mm

Impeller type:

Double-channel AISI 304 stainless steel

Double-channel AISI 304 stainless steel

- Standard supply Single-Phase version:
 - external float switch (manual pump available on request)
 - capacitor box with capacitor included
 - capacitor (inside the control panel)
 - protector built-in to the motor winding

2.2 kW Single-Phase pumps, the thermal overload protector must be connected to the external control panel

For three-phase water pumps three thermal overload protection are built-in to the winding, in series, and must be connected to the control box

VXC-F



Submersible Guide Rail Mounted Vortex Pumps for Wastewater/Sewage

MODEL	STOCK CODE	PRICE	MODEL	STOCK CODE	PRICE	POWER		PERFORMANCE	
						P ₂		Q	H
Single-Phase		£	Three-Phase		£	kW	HP	L/min	m
VXCm15/50-F	2301900	1,612.00	VXC15/50-F	2301960	1,578.00	1.1	1.5	100 ÷ 600	1.1 ÷ 1.5
VXCm20/50-F	2301910	1,691.00	VXC20/50-F	2301970	1,612.00	1.5	2	100 ÷ 700	12.5 ÷ 2.5
VXCm30/50-F	2301920	2,145.00	VXC30/50-F	2301980	1,644.00	2.2	3	100 ÷ 850	15.5 ÷ 2
-	-	-	VXC40/50-F	2301990	1,944.00	3	4	100 ÷ 1050	19 ÷ 2
VXCm15/65-F	2301930	1,678.00	VXC15/65-F	2302000	1,644.00	1.1	1.5	200 ÷ 850	7 ÷ 1
VXCm20/65-F	2301940	1,792.00	VXC20/65-F	2302010	1,675.00	1.5	2	200 ÷ 1000	8.5 ÷ 1
VXCm30/65-F	2301950	2,210.00	VXC30/65-F	2302020	1,711.00	2.2	3	200 ÷ 1200	11.1 ÷ 1.5
-	-	-	VXC40/65-F	2302030	2,010.00	3	4	200 ÷ 1250	15 ÷ 1.5

- Power cable: 10 metres as standard
- Impeller: **cast iron VORTEX**

MC-F



Submersible Guide Rail Mounted Double-Channel Pumps for Wastewater/Sewage

MODEL	STOCK CODE	PRICE	MODEL	STOCK CODE	PRICE	POWER		PERFORMANCE	
						P ₂		Q	H
Single-Phase		£	Three-Phase		£	kW	HP	L/min	m
MCm15/50-F	2302040	1,709.00	MC15/50-F	2302080	1,675.00	1.1	1.5	100 ÷ 800	14 ÷ 1
MCm20/50-F	2302050	1,794.00	MC20/50-F	2302090	1,709.00	1.5	2	100 ÷ 900	16 ÷ 1
MCm30/50-F	2302060	2,210.00	MC30/50-F	2302100	1,744.00	2.2	3	100 ÷ 1100	22 ÷ 2
-	-	-	MC40/50-F	2302110	2,010.00	3	4	100 ÷ 1100	24 ÷ 4
MCm30/65-F	2302070	2,364.00	MC30/65-F	2302120	1,832.00	2.2	3	200 ÷ 1500	12 ÷ 2
-	-	-	MC40/65-F	2302130	2,098.00	3	4	200 ÷ 1600	15 ÷ 4

- Power cable: 10 metres as standard
- Impeller: **DOUBLE-CHANNEL precision cast stainless steel AISI 304**

Standard supply Single-Phase version:

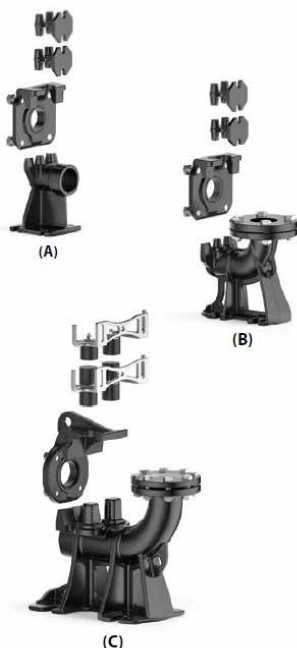
- external float switch (manual pump available on request)
- capacitor box with capacitor included
- capacitor (inside the control panel)
- protector built-in to the motor winding

2.2 kW Single-Phase pumps, the thermal overload protector must be connected to the external control panel

For three-phase water pumps three thermal overload protection are built-in to the winding, in series, and must be connected to the control box

Guide Rail Kits

For Pump	Stock Code	DN	£
HORIZONTAL DELIVERY WITH ¾" RAILS (A)			
For VXC -50-F, MC /50-F	2302140	¾"	188.00
VERTICAL DELIVERY WITH ¾" RAILS (B)			
For VXC -50-F, MC /50-F	2302150	¾"	316.00
For VXC -65-F, MC /65-F	2302160	¾"	482.00
VERTICAL DELIVERY WITH 2" RAILS (C)			
For VXC -50-F, MC /50-F	2302170	2"	974.00
For VXC -65-F, MC /65-F	2302180	2"	1,133.00
SLIDE GUIDES			
For VXC -50-F, MC /50-F with guide tubes Ø ¾"	2302190	¾"	115.00
For VXC -65-F, MC /65-F with guide tubes Ø ¾"	2302200	¾"	172.00
For VXC -50-F, MC /50-F with guide tubes Ø 2"	2302210	2"	218.00
For VXC -65-F, MC /65-F with guide tubes Ø 2"	2302220	2"	332.00
INTERMEDIATE SUPPORT			
For guide tube Ø ¾"	2302230	¾"	34.00
For guide tube Ø 2"	2302240	2"	176.00



TRITUS



Submersible Pumps c/w Grinder

MODEL	STOCK CODE	PRICE	MODEL	STOCK CODE	PRICE	POWER		PERFORMANCE	
						P ₂		Q	H
Single-Phase		£	Three-Phase		£	kW	HP	L/min	m
TIgM 0.55	2302250	1,065.00	-	-	-	0.55	0.75	20 ÷ 130	14.5 ÷ 2
TIgM 0.75	2302260	1,096.00	-	-	-	0.75	1	20 ÷ 140	17.5 ÷ 2
TRm 0.75	2302270	1,401.00	TR 0.75	2302330	1,284.00	0.75	1	20 ÷ 125	15 ÷ 2
TRm 0.9	2302280	1,432.00	TR 0.9	2302340	1,315.00	0.9	1.25	20 ÷ 170	15 ÷ 2
TRm 1.1	2302290	1,503.00	TR 1.1	2302350	1,365.00	1.1	1.5	20 ÷ 140	21.5 ÷ 2
TRm 1.3	2302300	1,534.00	TR 1.3	2302360	1,400.00	1.3	1.75	20 ÷ 220	22.5 ÷ 2
TRm 1.5	2302310	2,505.00	TR 1.5	2302370	2,168.00	1.5	2	20 ÷ 270	25 ÷ 2
-	-	-	TR 2.2	2302380	2,317.00	2.2	3	20 ÷ 280	30 ÷ 2
TRm 2.2 AP	2302320	3,248.00	TR 2.2 AP	2302390	2,505.00	2.2	3	20 ÷ 270	35 ÷ 11
-	-	-	TR 3 AP	2302400	2,606.00	3	4	20 ÷ 300	32.5 ÷ 11



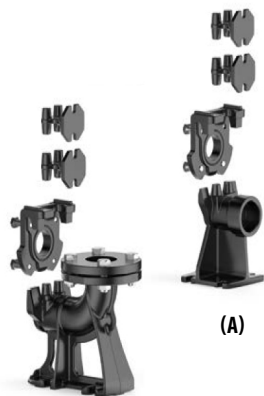
- Grinder: high resistance tempered stainless steel
- Power cable: 10 metres as standard
- Impeller: - **technopolymer** for TR 0.75, TR 1.1
- **precision cast stainless steel** AISI 304 for TR 1.5, TR 2.2
- Two mechanical seals separated by an oil chamber
- Standard supply Single-Phase version:
 - external float switch (manual pump available on request)
 - motor protector built-in to the motor winding
 - control panel

Guide Rail Kits

For Pump	Stock Code	DN	£
HORIZONTAL DELIVERY WITH ¾" RAILS (A)			
TR 0.75, TR 0.9, TR 1.1, TR 1.3	2302410	2"	163.00
TR 1.5, TR 2.2,	2302420	2"	163.00
TR 2.2 AP, TR 3 AP,	2302430	2"	194.00
VERTICAL DELIVERY WITH ¾" RAILS (B)			
TR 0.75, TR 0.9, TR 1.1, TR 1.3	2302440	2 ½"	282.00
TR 1.5, TR 2.2	2302450	2 ½"	282.00
TR 2.2 AP, TR 3 AP,	2302460	2 ½"	313.00

60Hz available to order - add 20%

Performance data is approximate for guidance only. For critical applications check with latest Catalogue or phone for duty confirmation.



(B)

VX 40



Submersible Vortex Pumps for Sewage Water

MODEL	STOCK CODE	PRICE £	POWER		PERFORMANCE		PASSAGE of solids mm
			P ₂ kW	HP	Q L/min	H m	
Three-Phase							
VX 40/50	2302490	2,536.00	3	4	100 ÷ 900	22 ÷ 5.5	Ø 50
VX 55/50	2302500	2,732.00	4	5.5	100 ÷ 1000	25 ÷ 6.5	Ø 50
VX 40/65	2302510	2,732.00	3	4	200 ÷ 1200	15.6 ÷ 2.5	Ø 65
VX 55/65	2302520	2,934.00	4	5.5	200 ÷ 1350	19.4 ÷ 3.7	Ø 65
VX 75/65	2302530	3,053.00	5.5	7.5	200 ÷ 1500	23.6 ÷ 5.5	Ø 65
VX 40/80	2302540	2,799.00	3	4	200 ÷ 1200	11.5 ÷ 3	Ø 80
VX 55/80	2302550	2,999.00	4	5.5	200 ÷ 1400	16 ÷ 4	Ø 80
VX 75/80	2302560	3,115.00	5.5	7.5	200 ÷ 1600	21 ÷ 4.5	Ø 80

- Impeller: Cast Iron Vortex with an Epoxy Electro Coating treatment
- Power cable: 10 metres as standard

BC 35



Submersible Double Channel Pumps for Sewage Water

MODEL	STOCK CODE	PRICE £	POWER		PERFORMANCE		PASSAGE of solids mm
			P ₂ kW	HP	Q L/min	H m	
Three-Phase							
BC 40/35	2302570	2,749.00	3	4	300 ÷ 1500	18.5 ÷ 5.5	Ø 35
BC 55/35	2302580	2,949.00	4	5.5	300 ÷ 1700	22.5 ÷ 7.5	Ø 35
BC 75/35	2302590	3,065.00	5.5	7.5	300 ÷ 1900	27.5 ÷ 10	Ø 35
BC 40/50	2302600	2,808.00	3	4	300 ÷ 1800	16 ÷ 4.5	Ø 50
BC 55/50	2302610	3,006.00	4	5.5	300 ÷ 2100	20 ÷ 6	Ø 50
BC 75/50	2302620	3,123.00	5.5	7.5	300 ÷ 2300	24.5 ÷ 7.5	Ø 50

- Power cable: 10 metres as standard
- Impeller: Cast Iron Vortex with an Epoxy Electro Coating treatment

Guide Rail Kits

For Pump	Stock Code	DN	£
HORIZONTAL DELIVERY WITH ¾" RAILS (A)			
VX /50,	2302640	2"	204.00
VERTICAL DELIVERY WITH ¾" RAILS (B)			
VX /50	2302660	2 ½"	351.00
VX /65, BC /35	2302670	3"	467.00
VX /80, BC /50	2302680	3"	482.00



VXC 4



Submersible Vortex Pumps for Sewage Water

MODEL	STOCK CODE	PRICE £	POWER P ₂		PERFORMANCE		PASSAGE of solids mm
			kW	HP	Q L/min	H m	
Three-Phase							
VXC4 40/100	2302690	5,088.00	3	4	300 ÷ 1700	7.6 ÷ 2	Ø 100
VXC4 50/100	2302700	5,166.00	3.7	5	300 ÷ 2000	10.2 ÷ 2.7	Ø 100
VXC4 55/100	2302710	5,244.00	4	5.5	300 ÷ 2200	11.7 ÷ 3	Ø 100
VXC4 100/80	2302720	13,087.00	7.5	10	800 ÷ 3300	12.9 ÷ 4.3	Ø 80
VXC4 125/80	2302730	13,244.00	9.2	12.5	800 ÷ 3800	15 ÷ 4.5	Ø 80
VXC4 150/80	2302740	13,416.00	11	15	800 ÷ 4300	17.2 ÷ 5	Ø 80
VXC4 200/80	2302750	13,588.00	15	20	800 ÷ 5000	20 ÷ 5.5	Ø 80

- Power cable: 10 metres as standard
- Impeller: Cast Iron Vortex

MC 4



Submersible Double Channel Pumps for Sewage Water

MODEL	STOCK CODE	PRICE £	POWER P ₂		PERFORMANCE		PASSAGE of solids mm
			kW	HP	Q L/min	H m	
Three-Phase							
MC4 40/55	2302760	5,244.00	3	4	400 ÷ 2200	10.5 ÷ 3.5	Ø 55
MC4 50/55	2302770	5,323.00	3.7	5	400 ÷ 2400	12.5 ÷ 4.8	Ø 55
MC4 55/55	2302780	5,401.00	4	5.5	400 ÷ 2600	13.9 ÷ 5.3	Ø 55
MC4 90/80	2302790	13,087.00	6.7	9	400 ÷ 4200	15.3 ÷ 5.5	Ø 80
MC4 110/80	2302800	13,244.00	8	11	400 ÷ 4600	17.6 ÷ 6	Ø 80
MC4 125/80	2302810	13,400.00	9.2	12.5	400 ÷ 5000	19.8 ÷ 6.5	Ø 80

- Power cable: 10 metres as standard
- Impeller: Cast Iron Double Channel



Guide Rail Kits

For Pump	Stock Code	DN	£
VERTICAL DELIVERY WITH 2" RAILS			
VXC4, MC4 /80	2302860	4"	1,135.00
MC4 /55	2302870	3"	1,080.00



Domestic Series

COMPATTA EVO

SPECIFICATIONS

Vortex Impeller 2850 rpm
 G = Float Switch
 M = 1 ~ 230V
 T = 3 ~ 400V
 MG = Singlephase with float switch
 TG = Threephase with float switch
 Double Mechanical Seal



DNA series

SPECIFICATIONS

Vortex Impeller
 G = Float Switch
 M = 1 ~ 230V
 T = 3 ~ 400V
 MG = Singlephase with float switch
 TG = Threephase with float switch
 Double Mechanical Seal

DNB series

SPECIFICATIONS

S-Flow double channel impeller
 G = Float Switch
 M = 1 ~ 230V
 T = 3 ~ 400V
 MG = Singlephase with float switch
 TG = Threephase with float switch
 Double Mechanical Seal



A series

SPECIFICATIONS

Single / Three channel Impeller 2850 rpm
 G = Float Switch
 M = 1 ~ 230V
 T = 3 ~ 400V
 MG = Singlephase with float switch
 EX = Explosion proof version
 II 2 G d c IIB T4 X



V series with Vortex Impeller

SPECIFICATIONS

Vortex Impeller 2850 rpm
 G = Float Switch
 M = 1 ~ 230V
 T = 3 ~ 400V
 MG = Singlephase with float switch
 EX = Explosion proof version
 II 2 G d c IIB T4 X



V series 4 pole

SPECIFICATIONS

Single channel Impeller 1450 rpm
 G = Float Switch
 M = 1 ~ 230V
 T = 3 ~ 400V
 MG = Singlephase with float switch
 EX = Explosion proof version
 II 2 G d c IIB T4 X



VTH series

SPECIFICATIONS

Vortex Impeller T
 = 3 ~ 400V
 2850 rpm



GRIX series

SPECIFICATIONS

Grinder Impeller 2850 rpm
 G = Float Switch
 M = 1 ~ 230V
 T = 3 ~ 400V
 MG = Singlephase with float switch
 TG = Threephase with float switch



G series

Submersible Grinder pumps

SPECIFICATIONS

Grinder Impeller 2850 rpm
 G = Float Switch
 M = 1 ~ 230V
 T = 3 ~ 400V
 MG = Singlephase with float switch
 EX = Explosion proof version
 II 2 G d c IIB T4 X



FOR DRENO ACCESSORIES INCLUDING FOOT SUPPORT & AUTO COUPLINGS PLEASE SEE PAGES 74-76.

COMPATTA EVO



Domestic Series

MODEL	STOCK CODE	DELIVERY	PRICE £	SOLID Ømm	POWER P ₂ kW	WEIGHT Kg
COMPATTA EVO 22 M	2302880	G 2"	663.00	40	0.56	19
COMPATTA EVO 22 M/G	2302890	G 2"	695.00	40	0.56	19
COMPATTA EVO 22 T	2302900	G 2"	672.00	40	0.56	16.5
COMPATTA EVO 22 T/G	2302910	G 2"	881.00	40	0.56	19.5
COMPATTA EVO 32 M	2302920	G 2"	732.00	40	0.75	19
COMPATTA EVO 32 M/G	2302930	G 2"	759.00	40	0.75	19
COMPATTA EVO 32 T	2302940	G 2"	744.00	40	0.75	19.5
COMPATTA EVO 32 T/G	2302950	G 2"	949.00	40	0.75	19.5
COMPATTA EVO 4 M	2302960	G 2"	1,017.00	50	1.1	21.5
COMPATTA EVO 4 M/G	2302970	G 2"	1,048.00	50	1.1	21.5
COMPATTA EVO 4 T	2302980	G 2"	1,026.00	50	1.1	21.5
COMPATTA EVO 4 T/G	2302990	G 2"	1,233.00	50	1.1	21.5
COMPATTA EVO 55 M	2303000	G 2"	1,152.00	50	1.5	23
COMPATTA EVO 55 M/G	2303010	G 2"	1,191.00	50	1.5	23
COMPATTA EVO 55 T	2303020	G 2"	1,132.00	50	1.5	23
COMPATTA EVO 55 T/G	2303030	G 2"	1,341.00	50	1.5	23

M = 1~230V MG = 1~230V + Float Switch T = 3~400V TG = 3~400V + Float Switch

DNA SERIES



DNA Series

MODEL	STOCK CODE	DELIVERY	PRICE £	SOLID Ømm	POWER P ₂ kW	WEIGHT Kg
DNA 65-2/110 M	2303040	DN 65 PN 10	1,312.00	65	1.1	29
DNA 65-2/110 MG	2303050	DN 65 PN 10	1,354.00	65	1.1	29
DNA 65-2/110 T	2303060	DN 65 PN 10	1,256.00	65	1.1	29
DNA 65-2/110 TG	2303070	DN 65 PN 10	1,464.00	65	1,1	29
DNA 65-2/150 M	2303080	DN 65 PN 10	1,402.00	65	1.1	32
DNA 65-2/150 MG	2303090	DN 65 PN 10	1,447.00	65	1.1	32
DNA 65-2/150 T	2303100	DN 65 PN 10	1,358.00	65	1.5	32
DNA 65-2/150 TG	2303110	DN 65 PN 10	1,566.00	65	1.5	32
DNA 65-2/220 T	2303120	DN 65 PN 10	1,520.00	65	2.2	33
DNA 80-2/110 M	2303130	DN 80 PN 16	1,393.00	80	1.1	32
DNA 80-2/110 MG	2303140	DN 80 PN 16	1,436.00	80	1.1	32
DNA 80-2/110 T	2303150	DN 80 PN 16	1,344.00	80	1.1	32
DNA 80-2/110 TG	2303160	DN 80 PN 16	1,552.00	80	1.1	32
DNA 80-2/150 M	2303170	DN 80 PN 16	1,520.00	80	1.5	34
DNA 80-2/150 MG	2303180	DN 80 PN 16	1,565.00	80	1.5	34
DNA 80-2/150 T	2303190	DN 80 PN 16	1,477.00	80	1.5	34
DNA 80-2/150 TG	2303200	DN 80 PN 16	1,686.00	80	1.5	34
DNA 80-2/220 T	2303210	DN 80 PN 16	1,624.00	80	2.2	35
DNA 80-4/090 M	2303220	DN 80 PN 16	1,811.00	80	0.9	38
DNA 80-4/090 MG	2303230	DN 80 PN 16	1,921.00	80	0.9	38
DNA 80-4/090 T	2303240	DN 80 PN 16	1,759.00	80	0.9	38

M = 1~230V MG = 1~230V + Float Switch T = 3~400V TG = 3~400V + Float Switch

FOR DRENO ACCESSORIES INCLUDING FOOT SUPPORT & AUTO COUPLINGS PLEASE SEE PAGES 74-76.

DNB SERIES



DNB Series 2-4 Poles

MODEL	STOCK CODE	DELIVERY	PRICE £	SOLID Ømm	POWER P ₂ kW	WEIGHT Kg
DNB 65-2/080 M	2303250	DN 65 PN10 G2"	854.00	50	0.8	21
DNB 65-2/080 MG	2303260	DN 65 PN10 G2"	930.00	50	0.8	21
DNB 65-2/080 T	2303270	DN 65 PN10 G2"	881.00	50	0.8	21
DNB 65-2/080 TG	2303280	DN 65 PN10 G2"	1,076.00	50	0.8	21
DNB 65-2/110 M	2303290	DN 65 PN10 G2"	1,312.00	50	1.1	29
DNB 65-2/110 MG	2303300	DN 65 PN10 G2"	1,354.00	50	1.1	29
DNB 65-2/110 T	2303310	DN 65 PN10 G2"	1,256.00	50	1.1	29
DNB 65-2/110 TG	2303320	DN 65 PN10 G2"	1,464.00	50	1.1	29
DNB 65-2/150 M	2303330	DN 65 PN10 G2"	1,402.00	50	1.5	31
DNB 65-2/150 MG	2303340	DN 65 PN10 G2"	1,447.00	50	1.5	31
DNB 65-2/150 T	2303350	DN 65 PN10 G2"	1,358.00	50	1.5	31
DNB 65-2/150 TG	2303360	DN 65 PN10 G2"	1,566.00	50	1.5	31
DNB 65-2/220 T	2303370	DN 65 PN10 G2"	1,520.00	50	2.2	35
DNB 65-2/220-1 T	2303380	DN 65 PN10 G2"	1,525.00	50	2.2	36
DNB 65-2/220-2 T	2303390	DN 65 PN10 G2"	1,525.00	50	2.2	36
DNB 80-2/150 M	2303400	DN 80 PN 16	1,547.00	70	1.5	32.5
DNB 80-2/150 MG	2303410	DN 80 PN 17	1,594.00	70	1.5	32.5
DNB 80-2/150 T	2303420	DN 80 PN 18	1,507.00	70	1.5	32.5
DNB 80-2/150 T/G	2303430	DN 80 PN 19	1,714.00	70	1.5	32.5
DNB 80-2/220 T	2303440	DN 80 PN 20	1,655.00	70	2.2	34.5
DNB 80-2/220-1 T	2303450	DN 80 PN 21	1,655.00	70	2.2	35
DNB 80-4/110 M	2303460	DN 80 PN 22	1,866.00	70	1.1	36
DNB 80-4/110 MG	2303470	DN 80 PN 23	1,981.00	70	1.1	36
DNB 80-4/110 T	2303480	DN 80 PN 24	1,818.00	70	1.1	36

M = 1~230V MG = 1~230V + Float Switch T = 3~400V TG = 3~400V + Float Switch

A SERIES



A Series 2 Pole

MODEL	STOCK CODE	DELIVERY	PRICE £	SOLID Ømm	POWER P ₂ kW	WEIGHT Kg
AM 65/2/125 C.236	2303490	DN65 PN10	2,667.00	40	1.5	44.5
AM 65/2/125 C.236/G	2303500	DN65 PN10	2,817.00	40	1.5	44.5
AT 65/2/125 C.236	2303510	DN65 PN10	1,912.00	40	1.5	43
AT 65/2/125 C.237	2303520	DN65 PN10	2,256.00	40	2.2	43.5
AT 65/2/152 C.246	2303530	DN65 PN10	3,160.00	45	3	60
AT 65/2/152 C.247	2303540	DN65 PN10	4,170.00	45	4	62.5
AT 80/2/152 C.246	2303550	DN80 PN16	3,690.00	45	3	61
AT 80/2/152 C.247	2303560	DN80 PN16	4,713.00	45	4	65
AT 80/2/173 C.254	2303570	DN80 PN16	5,302.00	55	5.5	92
AT 80/2/173 C.257	2303580	DN80 PN16	6,161.00	55	7.5	93
AT 80/2/173 C.259	2303590	DN80 PN16	7,141.00	55	9.5	94.5

M = 1~230V T = 3~400V

FOR DRENO ACCESSORIES INCLUDING FOOT SUPPORT & AUTO COUPLINGS PLEASE SEE PAGES 74-76.

A SERIES



A Series 4 Pole

MODEL	STOCK CODE	DELIVERY	PRICE	SOLID Ømm	POWER	WEIGHT
			£		P ₂ kW	Kg
AM 80/4/125 C.242	2303600	DN80 PN16	3,144.00	75	1.5	58
AM 80/4/125 C.242/G	2303610	DN80 PN16	3,258.00	75	1.5	58
AT 80/4/125 C.242	2303620	DN80 PN16	2,365.00	75	1.5	56
AT 80/4/152 C.244	2303630	DN80 PN16	2,958.00	75	2.2	69
AT 80/4/152 C.245	2303640	DN80 PN16	3,304.00	75	3	70
AT 100/4/152 C.243	2303650	DN100 PN16	2,872.00	90	1.7	73
AT 100/4/152 C.244	2303660	DN100 PN16	3,251.00	90	2.2	73,5
AT 100/4/152 C.245	2303670	DN100 PN16	3,631.00	90	3	75,5
AT 100/4/173 C.255	2303680	DN100 PN16	5,008.00	90	4	103
AT 100/4/173 C.256	2303690	DN100 PN16	5,876.00	90	5.5	108
AT 150/4/173 C.256	2303700	DN150 PN16	8,000.00	100	5.8	131
AT 150/4/173 C.258	2303710	DN150 PN16	8,875.00	100	7.5	133
AT 150/4/200 C.260	2303720	DN150 PN16	10,078.00	80	10	230
AT 150/4/200 C.263	2303730	DN150 PN16	11,317.00	80	16.5	256
AT 150/4/200 C.264	2303740	DN150 PN16	12,106.00	110	12	260
AT 150/4/200 C.265	2303750	DN150 PN16	16,215.00	110	16	276
AT 150/4/240 C.275	2303760	DN150 PN16	19,674.00	120	20	308
AT 150/4/240 C.280	2303770	DN150 PN16	22,838.00	120	25	328
AT 150/4/340 C.285	2303780	DN150 PN16	27,720.00	110	35	550
AT 150/4/340 C.290	2303790	DN150 PN16	34,329.00	120	40	585
AT 150/4/340 C.295	2303800	DN150 PN16	39,923.00	130	51	600
AT 150/4/340 C.300	2303810	DN150 PN16	41,230.00	140	60	600
AT 200/4/200 C.265	2303820	DN200 PN10	19,766.00	110	15	296
AT 200/4/200 C.270	2303830	DN200 PN10	21,639.00	110	20	340
AT 200/4/200 C.275	2303840	DN200 PN10	23,624.00	110	20	340
AT 200/4/200 C.280	2303850	DN200 PN10	26,811.00	110	26	343

M = 1~230V T = 3~400V

V SERIES



V Series 2 Pole

MODEL	STOCK CODE	DELIVERY	PRICE	SOLID Ømm	POWER	WEIGHT
			£		P ₂ kW	Kg
VM 65/2/125 C.336	2303860	DN65 PN10	2,667.00	50	1.5	43.5
VM 65/2/125 C.336/G	2303870	DN65 PN10	2,817.00	50	1.5	43.5
VT 65/2/125 C.336	2303880	DN65 PN10	1,912.00	50	1.5	41.5
VT 65/2/125 C.337	2303890	DN65 PN10	2,256.00	50	2.2	42.5
VT 65/2/152 C.346	2303900	DN65 PN10	3,160.00	60	3	59
VT 65/2/152 C.347	2303910	DN65 PN10	4,170.00	60	4	62
VT 80/2/152 C.346	2303920	DN80 PN16	3,690.00	65	3.2	63.5
VT 80/2/152 C.347	2303930	DN80 PN16	4,713.00	65	4.2	63.5
VT 80/2/173 C.354	2303940	DN80 PN16	5,302.00	70	5.2	86.5
VT 80/2/173 C.357	2303950	DN80 PN16	6,161.00	70	7.5	91
VT 80/2/173 C.359	2303960	DN80 PN16	7,141.00	70	9	92

M = 1~230V T = 3~400V

FOR DRENO ACCESSORIES INCLUDING FOOT SUPPORT & AUTO COUPLINGS PLEASE SEE PAGES 74-76.

V SERIES



V Series 4 Pole

MODEL	STOCK CODE	DELIVERY	PRICE	SOLID Ømm	POWER P ₂ kW	WEIGHT Kg
			£			
VT 65/4/152 C.344	2303970	DN65 PN10	2,646.00	65	2.2	66
VT 65/4/152 C.345	2303980	DN65 PN10	3,000.00	65	3	67
VM 80/4/125 C.341	2303990	DN80 PN16	2,935.00	75	1.1	48
VM 80/4/125 C.341/G	2304000	DN80 PN16	3,051.00	75	1.1	48
VT 80/4/125 C.341	2304010	DN80 PN16	2,189.00	75	1.1	48
VM 80/4/125 C.342	2304020	DN80 PN16	3,144.00	75	1.25	48
VM 80/4/125 C.342/G	2304030	DN80 PN16	3,258.00	75	1.25	48
VT 80/4/125 C.342	2304040	DN80 PN16	2,365.00	75	1.25	48
VT 80/4/152 C.344	2304050	DN80 PN16	2,958.00	80	2.2	66
VT 80/4/152 C.345	2304060	DN80 PN16	3,304.00	80	3	70
VT 100/4/152 C.348	2304070	DN100 PN16	2,872.00	100	1.7	69
VT 100/4/152 C.349	2304080	DN100 PN16	3,251.00	100	2.2	69
VT 100/4/152 C.350	2304090	DN100 PN16	3,631.00	100	3	72
VT 100/4/173 C.355	2304100	DN100 PN16	5,008.00	90	4	100.5
VT 100/4/173 C.356	2304110	DN100 PN16	5,876.00	90	6	107
VT 100/4/173 C.358	2304120	DN100 PN16	6,775.00	90	7.5	110
VT 100/4/200 C.362	2304130	DN100 PN16	9,612.00	90	12	192
VT 100/4/200 C.363	2304140	DN100 PN16	10,795.00	90	15	205
VT 100/4/240 C.370	2304150	DN100 PN16	19,150.00	100	18	274
VT 100/4/240 C.375	2304160	DN100 PN16	19,674.00	90	20	288
VT 100/4/240 C.380	2304170	DN100 PN16	22,838.00	90	25	295
VT 150/4/340 C.385	2304180	DN150 PN16	27,720.00	130	35	550
VT 150/4/340 C.390	2304190	DN150 PN16	34,329.00	130	45	585
VT 150/4/340 C.395	2304200	DN150 PN16	39,923.00	130	55	590

M = 1~230V T = 3~400V

VTH SERIES



VTH Series 2 Pole

MODEL	STOCK CODE	DELIVERY	PRICE	SOLID Ømm	POWER P ₂ kW	WEIGHT Kg
			£			
VTH 80-2/120	2304210	DN 80 PN 16	9,080.00	80	12	186
VTH 80-2/150	2304220	DN 80 PN 16	11,317.00	80	15	195
VTH 80-2/200	2304230	DN 80 PN 16	13,394.00	80	20	242
VTH 80-2/250	2304240	DN 80 PN 16	15,025.00	80	25	244
VTH 100-2/150	2304250	DN 100 PN 16	11,730.00	100	15	208
VTH 100-2/200	2304260	DN 100 PN 16	13,810.00	100	20	253
VTH 100-2/250	2304270	DN 100 PN 16	15,440.00	100	25	257
VTH 100-2/300	2304280	DN 100 PN 16	18,533.00	100	30	273
VTH 100-2/350	2304290	DN 100 PN 16	20,386.00	100	35	274
VTH 100-2/400	2304300	DN 100 PN 16	21,961.00	100	40	278
VTH 100-2/400/1	2304310	DN 100 PN 16	22,211.00	100	40	281
VTH 100-2/400/2	2304320	DN 100 PN 16	22,499.00	110	40	282

FOR DRENO ACCESSORIES INCLUDING FOOT SUPPORT & AUTO COUPLINGS PLEASE SEE PAGES 74-76.

GRIX SERIES GRINDER



GRIX Series 2 Pole

MODEL	STOCK CODE	DELIVERY	PRICE	SOLID Ømm	POWER	WEIGHT
			£		P ₂ kW	
GRIX 32-2/090 M	2304330	G 1" ¼ DN32 PN6	1,029.00	-	0.9	21.5
GRIX 32-2/090 MG	2304340	G 1" ¼ DN32 PN6	1,143.00	-	0.9	21.5
GRIX 32-2/090 T	2304350	G 1" ¼ DN32 PN6	979.00	-	0.9	21
GRIX 32-2/090 TG	2304360	G 1" ¼ DN32 PN6	1,185.00	-	0.9	21
GRIX 32-2/110 M	2304370	G 1" ¼ DN32 PN6	1,431.00	-	1.1	25
GRIX 32-2/110 MG	2304380	G 1" ¼ DN32 PN6	1,542.00	-	1.1	25
GRIX 32-2/110 T	2304390	G 1" ¼ DN32 PN6	1,373.00	-	1.1	25.5
GRIX 32-2/110 TG	2304400	G 1" ¼ DN32 PN6	1,578.00	-	1.1	25.5
GRIX 32-2/140 M	2304410	G 1" ¼ DN32 PN6	1,556.00	-	1.4	27.5
GRIX 32-2/140 MG	2304420	G 1" ¼ DN32 PN6	1,669.00	-	1.4	27.5
GRIX 32-2/140 T	2304430	G 1" ¼ DN32 PN6	1,492.00	-	1.4	28
GRIX 32-2/140 TG	2304440	G 1" ¼ DN32 PN6	1,699.00	-	1.4	28

M = 1~230V MG = 1~230V + Float Switch T = 3~400V TG = 3~400V + Float Switch
Single phase GRIX pumps are supplied with a starter/capacitor box.

G SERIES GRINDER



G Series 2 Pole M = 1~230V T = 3~400V

MODEL	STOCK CODE	DELIVERY	PRICE	SOLID Ømm	POWER	WEIGHT
			£		P ₂ kW	
GX 50-2/090 M	2304450	G 2"	1,526.00	6	0.9	25
GX 50-2/090 M	2304460	G 2"	1,729.00	6	0.9	25
GX 50-2/090 M/G	2304470	G 2"	1,642.00	6	0.9	25
GX 50-2/090 M/G	2304480	G 2"	1,837.00	6	0.9	25
GX 50-2/090 T	2304490	G 2"	1,448.00	6	0.9	24
GX 50-2/0110 M	2304500	G 2"	1,993.00	6	1.1	25
GX 50-2/0110 M	2304510	G 2"	2,303.00	6	1.1	25
GX 50-2/0110 M/G	2304520	G 2"	2,104.00	6	1.1	25
GX 50-2/0110 M/G	2304530	G 2"	2,413.00	6	1.1	25
GX 50-2/0110 T	2304540	G 2"	1,905.00	6	1.1	25
GX 50-2/0150 M	2304550	G 2"	2,000.00	6	1.5	34
GX 50-2/0150 M	2304560	G 2"	2,345.00	6	1.5	34
GX 50-2/0150 M/G	2304570	G 2"	2,112.00	6	1.5	34
GX 50-2/0150 M/G	2304580	G 2"	2,456.00	6	1.5	34
GX 50-2/0150 T	2304590	G 2"	1,913.00	6	1.5	34
GX 50-2/0220 T	2304600	G 2"	2,142.00	6	1.5	34
GM 50/2/125 C.155	2304610	G 2" DN32 PN6	2,990.00	6	1.7	37.5
GM 50/2/125 C.155/G	2304620	G 2" DN32 PN6	3,162.00	6	1.7	37.5
GT 50/2/125 C.155	2304630	G 2" DN32 PN6	2,370.00	6	1.7	36.5
GM 50/2/125 C.160	2304640	G 2" DN32 PN6	3,380.00	6	2.3	40
GM 50/2/125 C.160/G	2304650	G 2" DN32 PN6	3,556.00	6	2.3	40
GT 50/2/125 C.160	2304660	G 2" DN32 PN6	2,844.00	6	2.3	38.5
GT 50/2/152 C.165	2304670	G 2" DN50 PN10	4,018.00	8	3.2	61
GT 50/2/152 C.170	2304680	G 2" DN50 PN10	5,135.00	8	4.2	62
GT 50/2/173 C.175	2304690	G 2" DN50 PN10	6,998.00	10	6.2	85
GT 50/2/173 C.180	2304700	G 2" DN50 PN10	7,913.00	10	7.8	86
GT 50/2/173 C.185	2304710	G 2" DN50 PN10	8,939.00	10	9.5	90

M = 1~230V MG = 1~230V + Float Switch T = 3~400V TG = 3~400V + Float Switch

Single phase pumps supplied with control box made up of:
Switch, Overload Protection, Control Electrode, Relay for float switch, Start Capacitor and 24V exits for protection kit

FOR DRENO ACCESSORIES INCLUDING FOOT SUPPORT & AUTO COUPLINGS PLEASE SEE PAGES 74-76.

Contractor Pumps

The Kappa range of Contractor pumps can pump water containing abrasive particles of sand and clay, shavings and other potentially abrasive objects, present on rocky surfaces, construction and mining sites. Kappa drainage pumps have been built to be used in the most severe conditions with application in places such as quarries, mines, building sites, tunnels, and excavations.

Kappa series pumps have been built using high quality components, such as hardened stainless steel, nitrile rubber and aluminium alloy coatings. This guarantees excellent wear resistance over time.

The protection devices present in the whole range reduce any damage caused by overheating. Their high hydraulic performances and low weight allow a versatile and effective use of Kappa pumps over time.

KAPPA CONTRACTOR



KAPPA Contractor Pumps

MODEL	STOCK CODE	DELIVERY	PRICE £	SOLID Ømm	POWER P ₂ kW	WEIGHT Kg
K040.2.50 M - N	2305260	G 2"	1,134.00	-	0.40	18.6
K075.2.50 M - N	2305270	G 2"	1,399.00	-	0.75	20
K120.2.50 M - H	2305280	G 2"	2,222.00	-	1.2	19
K120.2.50 M/G - H	2305290	G 2"	2,289.00	-	1.2	19
K120.2.50 T - H	2305300	G 2"	2,222.00	-	1.2	19
K150.2.50 M - N	2305310	G 2"	2,397.00	-	1.5	19
K150.2.50 M/G - N	2305320	G 2"	2,459.00	-	1.5	19
K150.2.50 T - N	2305330	G 2"	2,397.00	-	1.5	19
K220.2.80 - N	2305340	G 3"	3,049.00	-	2.2	34
K220.2.80 - H	2305350	G 3"	3,104.00	-	2.2	34
K420.2.80 - N	2305360	G 3"	3,411.00	-	4.2	37
K420.2.80 - C	2305370	G 3"	3,459.00	-	4.2	37
K560.2.80 - H	2305380	G 3"	5,079.00	-	5.6	60
K560.2.100 - N	2305390	G 4"	5,251.00	-	5.6	63
K560.2.100 - C	2305400	G 4"	5,179.00	-	5.6	63
K920.2.100 - N	2305410	G 4"	6,305.00	-	9.2	70
K920.2.100 - C	2305420	G 4"	6,362.00	-	9.2	70

M = 1~230V MG = 1~230V + Float Switch T = 3~400V

N = Medium H = High Head C = High Flow

Extensive interchangeability allows Kappa pumps to be converted from the N to the C or H version and vice versa.

Also available in 110V. Please contact our sales team for more information.



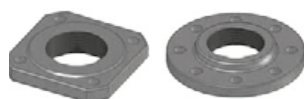
Foot Support

Free Standing Installation

MODEL	STOCK CODE	PRICE
		£
P1 GM - GT 50/2/125	2304720	130.00
P2 GT 50/2/152	2304730	166.00
P3 GT 50/2/173	2304740	182.00
P4 AT - VT - HT 65	2304750	125.00
P5 AT - VT 80	2304760	159.00
P6 AT - VT 100	2304770	208.00
P7 AT - VT 150	2304780	270.00
P8 AT -VT 150 (Bayonet Joint)	2304790	379.00
P9 AT 200	2304800	485.00

Threaded Coupling Flange with thread PN16

Free Standing Installation



MODEL	STOCK CODE	PRICE
		£
F1 DN65 (Square)	2304810	102.00
F2 DN80	2304820	120.00
F3 DN100	2304830	149.00
F4 DN150	2304840	212.00

Flanged Hose Connection

Free Standing Installation



MODEL	STOCK CODE	PRICE
		£
N1 DN65 (Square)	2304850	166.00
N2 DN80	2304860	229.00
N3 DN100	2304870	271.00
N4 DN150	2304880	380.00

Threaded Automatic Coupling Foot

Fixed Installation



MODEL	STOCK CODE	PRICE
		£
DUTY 50 (flanged) (DN32 PN6 / DN50 PN10)	2304890	344.00
DUTY 65 (flanged) (DN65 PN10)	2304900	513.00
DUTY 80 (flanged) (DN80 PN16)	2304910	590.00
DUTY 100 (flanged) (DN100 PN16)	2304920	693.00



Automatic Coupling Foot "Easy" Type A

Fixed Installation

MODEL	STOCK CODE	PRICE
		£
E1.1 1" ¼	2304930	199.00
E2.1 1" ½	2304940	210.00
E3.1 2"	2304950	221.00
E4.1 2" female (for C.149/150)	2304960	260.00

* Standard installation



Automatic Coupling Foot "Easy" Type B

Fixed Installation

MODEL	STOCK CODE	PRICE
		£
E1.2 1" ¼	2304970	177.00
E2.2 1" ½	2304980	185.00
E3.2 2"	2304990	199.00
E4.2 2" female (for C.149/150)	2305000	221.00

* Installation for pumping stations



Automatic Coupling Foot Type B

Fixed Installation

MODEL	STOCK CODE	PRICE
		£
B4 DN 65 PN6	2305010	693.00
B5 DN 80 PN16	2305020	1,014.00
B6 DN 100 PN16	2305030	1,352.00
B7 DN 150 PN16 (low)	2305040	1,906.00
B8 DN 150 PN16 (high)	2305050	2,655.00

* Complete with coupling support and guide rails bracket



Guide Rails Bracket for Threaded Automatic Coupling Foot

MODEL	STOCK CODE	PRICE
		£
Easy 1" ¼ - 1" ½ - 2" (Type A)	2305060	48.00

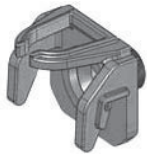
Installation Accessories



Guide Rails Bracket for Automatic Coupling Foot Type B

MODEL	STOCK CODE	PRICE
		£
Duty 50 - Easy 1" ¼ - 1" ½ - 2" (Type B)	2305070	40.00
DN 65	2305080	126.00
DN 80-100-150-200	2305090	149.00
PN10 DN80 Adaptor Claw	2305100	295.00

Installation Accessories



Coupling Support PN16 for Threaded Automatic Coupling Foot

MODEL	STOCK CODE	PRICE
		£
1" ¼ M - Easy	2305110	73.00
1" ½ M - Easy	2305120	79.00
2" M - Easy	2305130	84.00
2" F - Easy	2305140	91.00
DUTY 50	2305150	156.00

Installation Accessories



Coupling Support PN16 for Automatic Coupling foot Type B

MODEL	STOCK CODE	PRICE
		£
DN 65	2305160	279.00
DN 80	2305170	324.00
DN 100	2305180	408.00
DN 150 (High/Low)	2305190	582.00

Installation Accessories



Chain AISI 316

MODEL	STOCK CODE	Ø	MAX LOAD/	PRICE
		mm	Kg	per metre
				£
Mod. 26	2305200	3	100	30.00
Mod. 42	2305210	6	200	44.00
Mod. 65	2305220	10	600	102.00
Hook A2 Ø4	2305230			27.00
Hook A2 Ø8	2305240			34.00
Hook A2 Ø10	2305250			45.00

Installation Accessories